



**DESCRIPTION:**

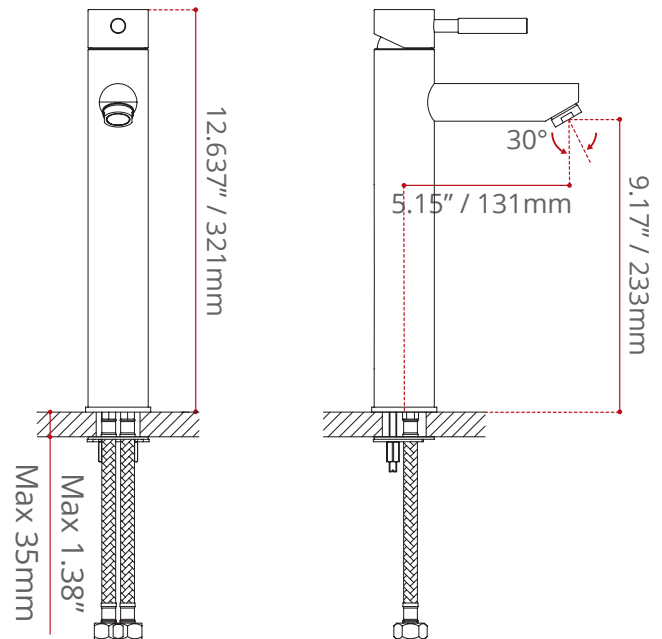
- Tall single hole vessel faucet
- Single lever for water and temperature control
- Brass body with chrome finish
- High quality, drip-free ceramic cartridge
- Corrosion & discolouration resistant
- Complies with CSA & IAPMO standards

**PRESSURE:**  
**60 PSI**

**FLOW RATE:**  
**4.5 LPM**

**SHIPPING INFORMATION:**

- Length: 14.18 / 360mm
- Width: 7.3" / 185mm
- Height: 3.15" / 80mm
- Net Weight: 1.5 kg / 3.3 lbs.
- Gross Weight: 2 kg / 4.4 lbs.



**DISCLAIMER:**  
Measurements may vary  $\pm \frac{1}{4}$ "  
(Diagram Not to scale)